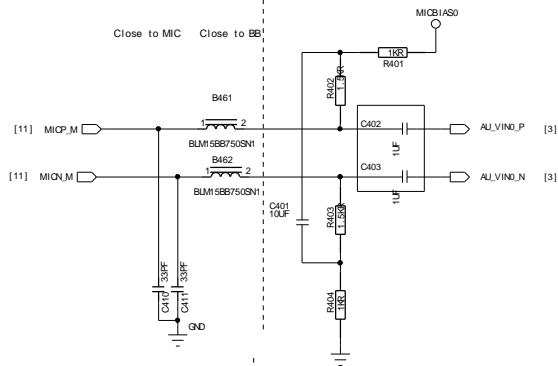
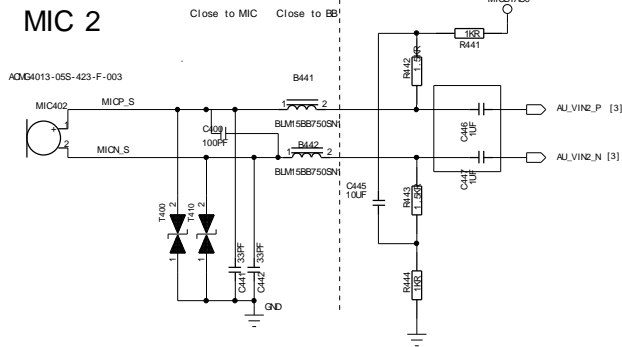


| | | | |
|----------------------------|-------------------------------|-----------------------------|------------------|
| DRAWN BY: <NAME HERE> | MODULE: <MODULE NAME HERE> | TITLE: <TITLE NAME HERE> | |
| CHECKED BY: <NAME HERE> | SIZE: A2 | DRAWING NO. <DRAW NO HERE> | REV. <REV. HERE> |
| SHEET: No of No | | <DATE HERE> | |

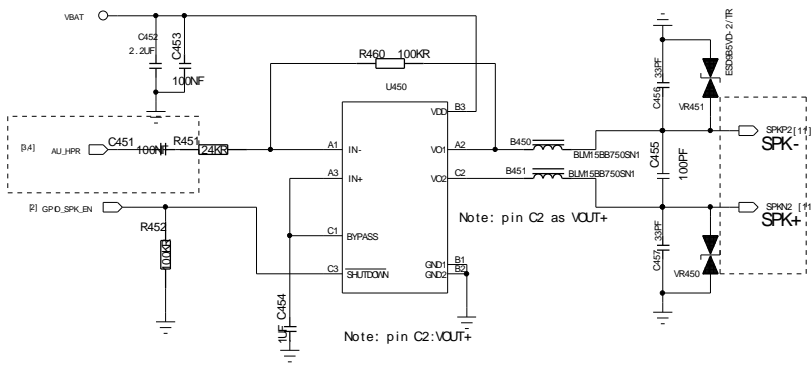
MIC



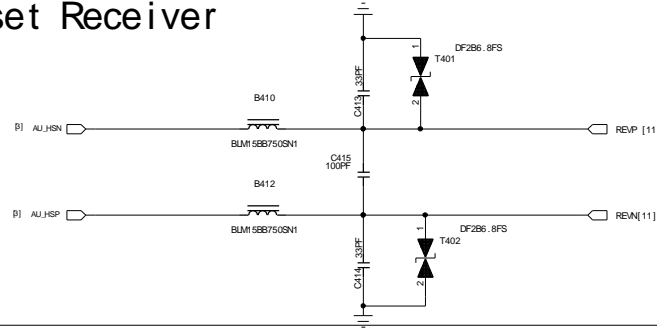
MIC 2



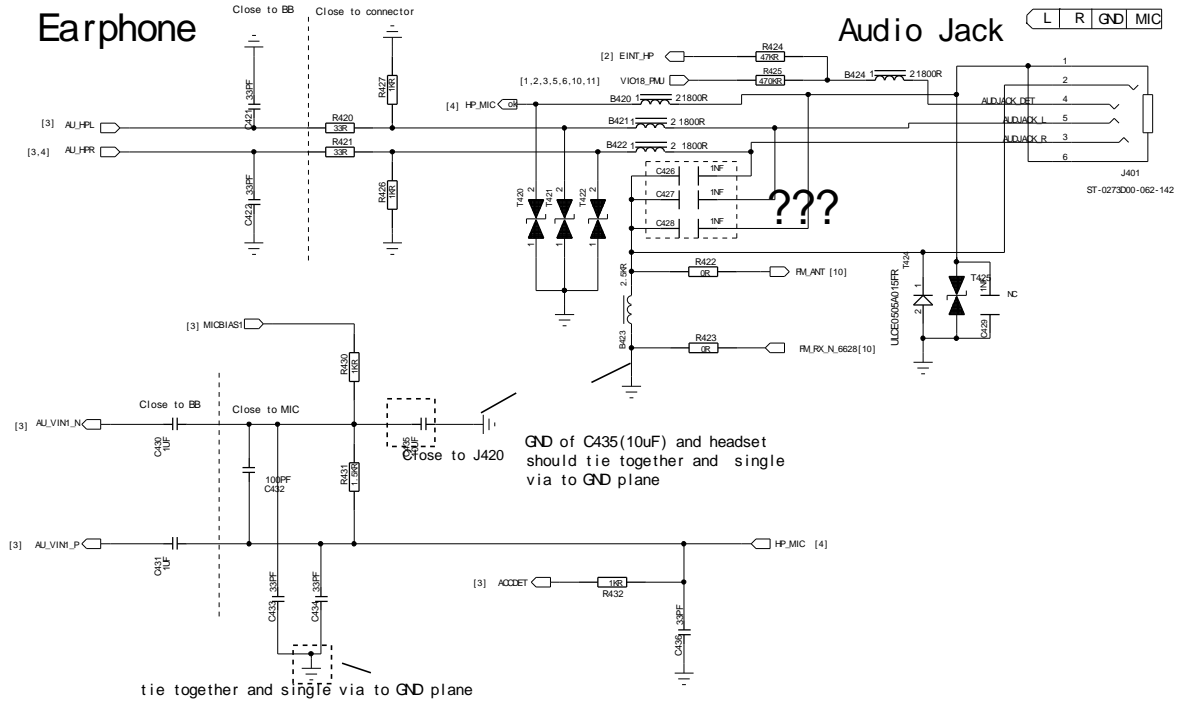
Speaker 2



Handset Receiver



Earphone

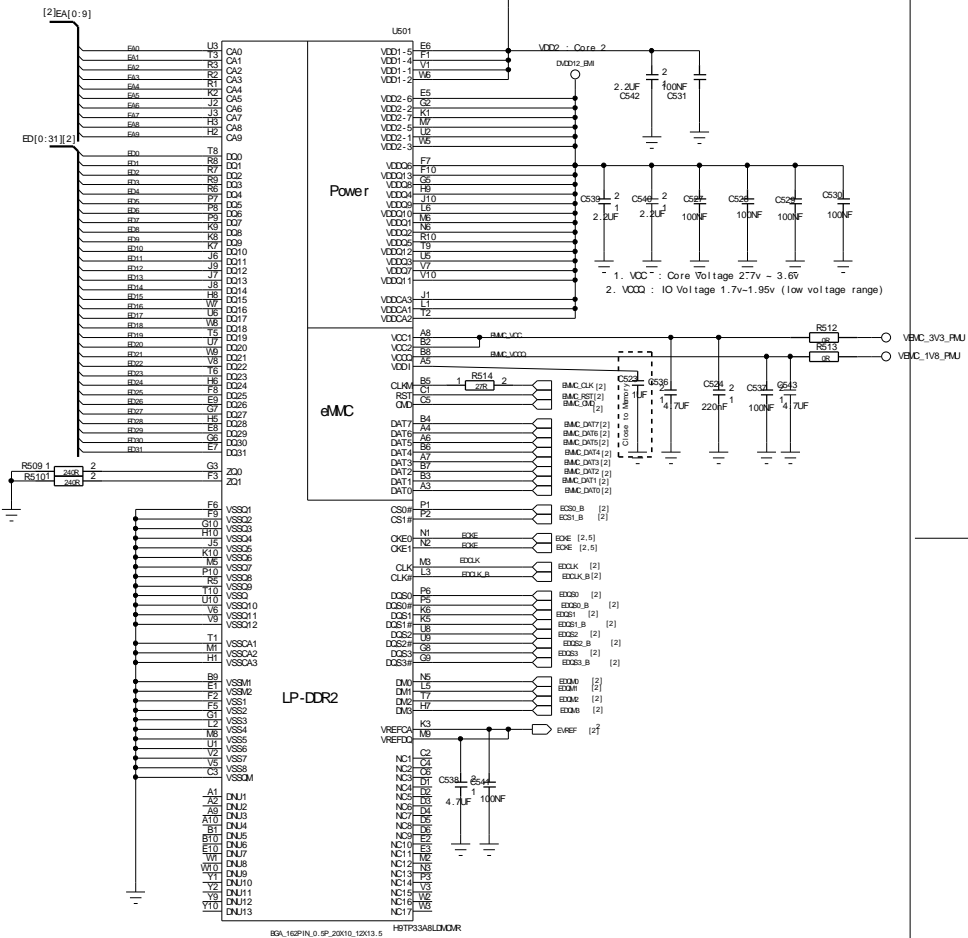


| | | | |
|----------------------------|------------------------------|-------------------------------|--------------|
| DRAWN BY: <NAME HERE> | MODULE <MODULE NAME HERE> | TITLE: <TITLE NAME HERE> | |
| CHECKED BY: <NAME HERE> | SIZE: A2 | DRAWING NO: <DRAW NO HERE> | REV: <NO> |
| SHEET: No of No | | <DATE HERE> | |

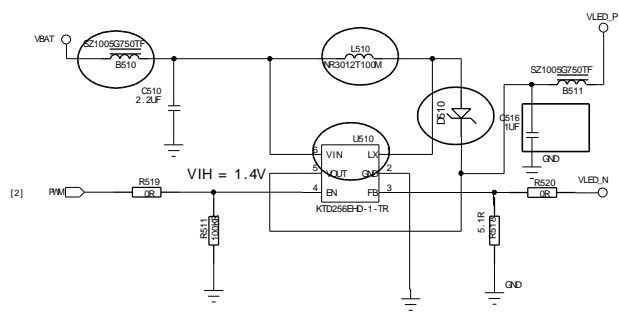
dMMC+LPDDR2

162 Ball, 0.5mm pitch

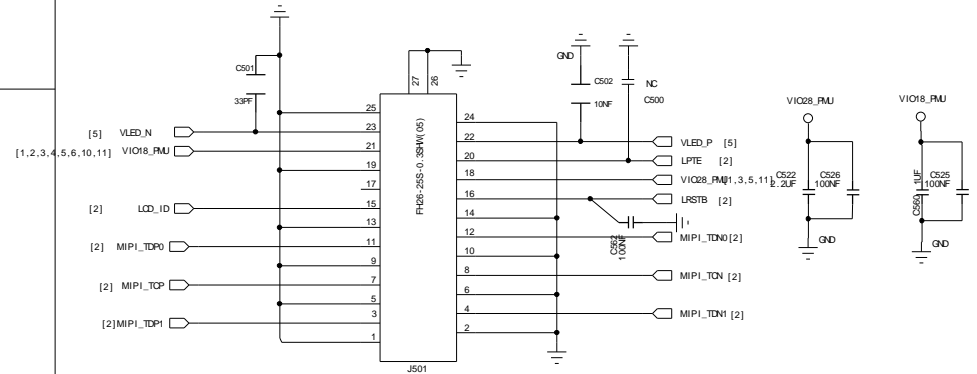
VDD1=1.8V
 VDD2=1.20V
 VDDCA=1.2V
 VDDQ= 1.20V



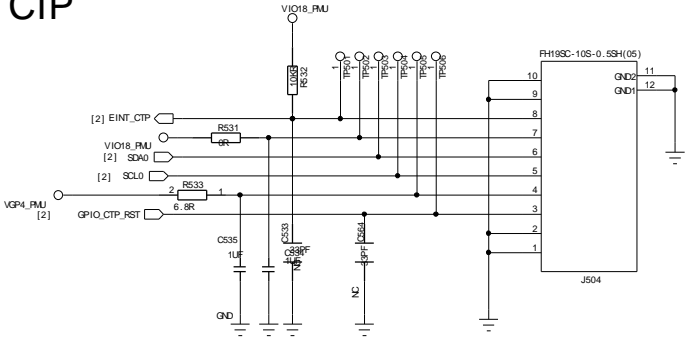
BACKLIGHT DRIVER



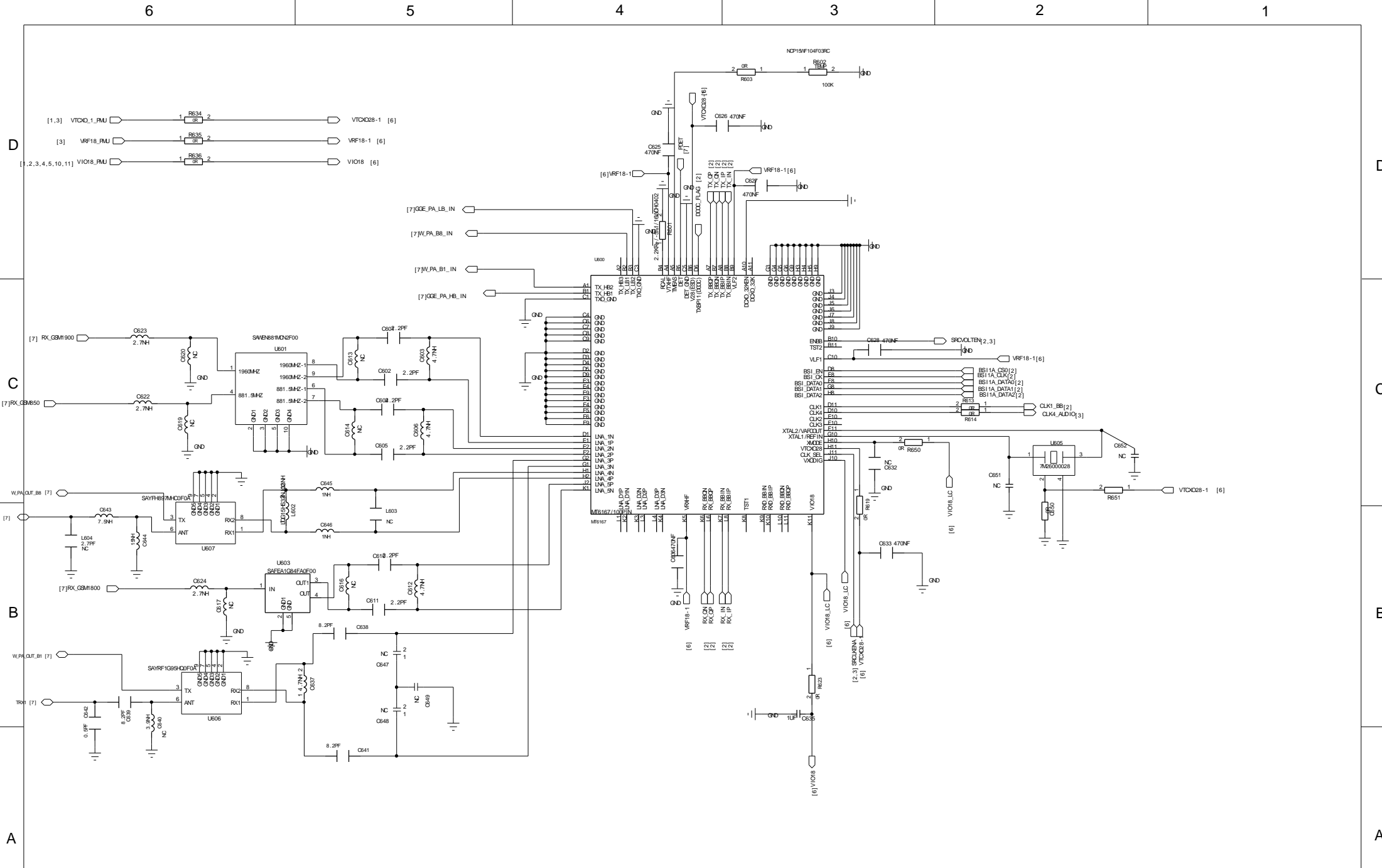
LCM



CTP

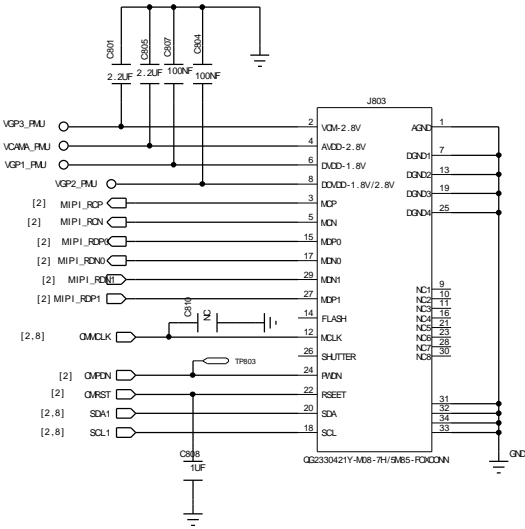


| | | | |
|----------------------------|------------------------------|-------------------------------|--------------------|
| DRAWN BY: <NAME HERE> | MODULE <MODULE NAME HERE> | TITLE: <TITLE NAME HERE> | |
| CHECKED BY: <NAME HERE> | SIZE: A2 | DRAWING NO: <DRAW NO HERE> | REV: <REV HERE> |
| SHEET: No of No | | <DATE HERE> | |

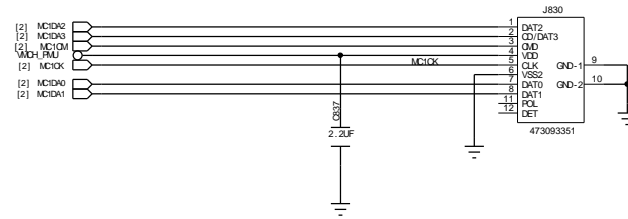


| | | | |
|----------------------------|------------------------------|--------------------------------|--------------|
| DRAWN BY: <NAME HERE> | MODULE <MODULE NAME HERE> | TITLE: <TITLE NAME HERE> | |
| CHECKED BY: <NAME HERE> | SIZE: A2 | DRAWING NO: <DRAWN NO HERE> | REV: <NO> |
| | | SHEET: No of Nb | <DATE HERE> |

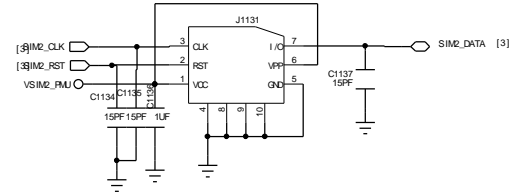
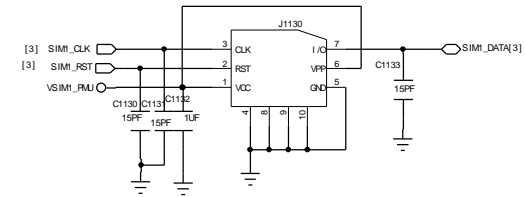
Main Camera



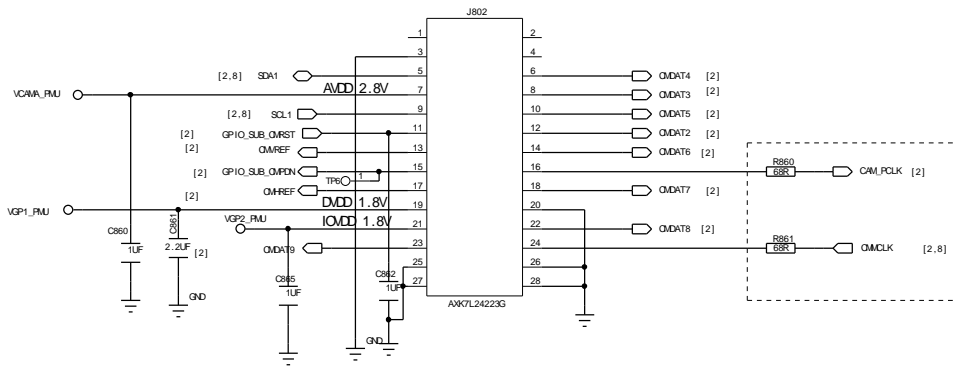
TFlash card



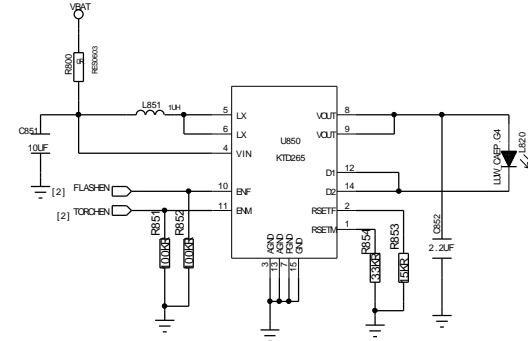
SIM Card



SUB Camera

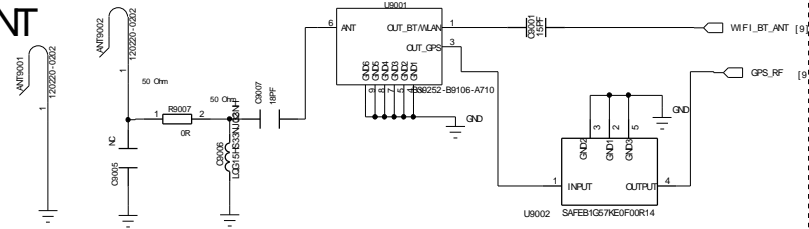


FLASH DRIVER

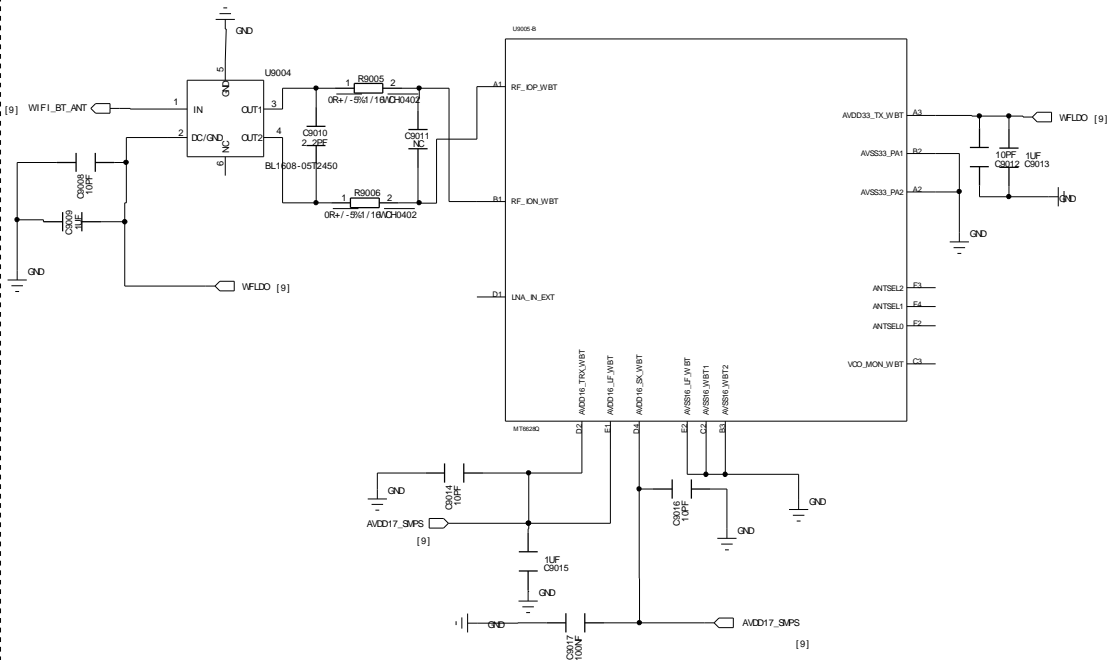


| | | | |
|----------------------------|------------------------------|-------------------------------|--------------|
| DRAWN BY: <NAME HERE> | MODULE <MODULE NAME HERE> | TITLE: <TITLE NAME HERE> | |
| CHECKED BY: <NAME HERE> | SIZE: A2 | DRAWING NO: <DRAW NO HERE> | REV: <NO> |
| SHEET: No of No | | <DATE HERE> | |

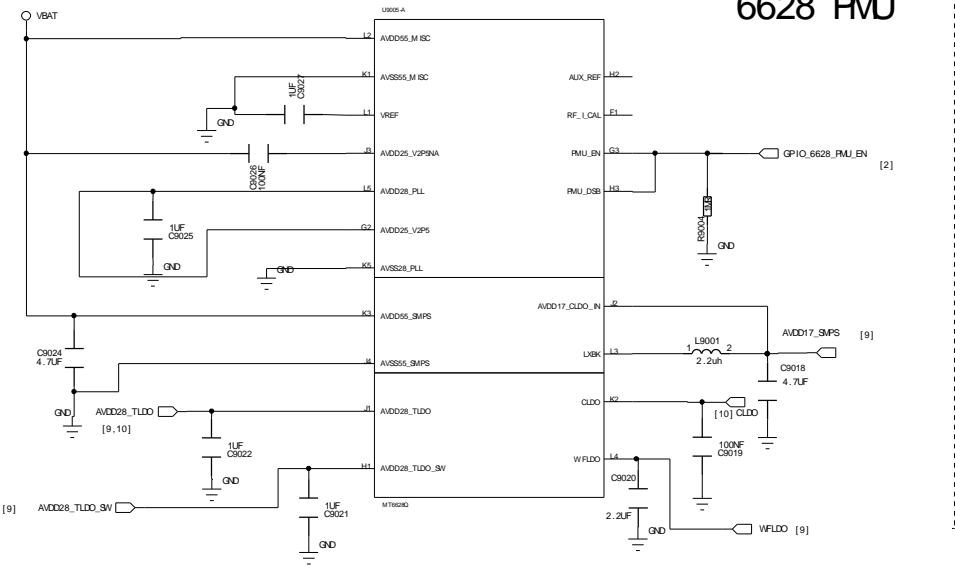
6628 ANT



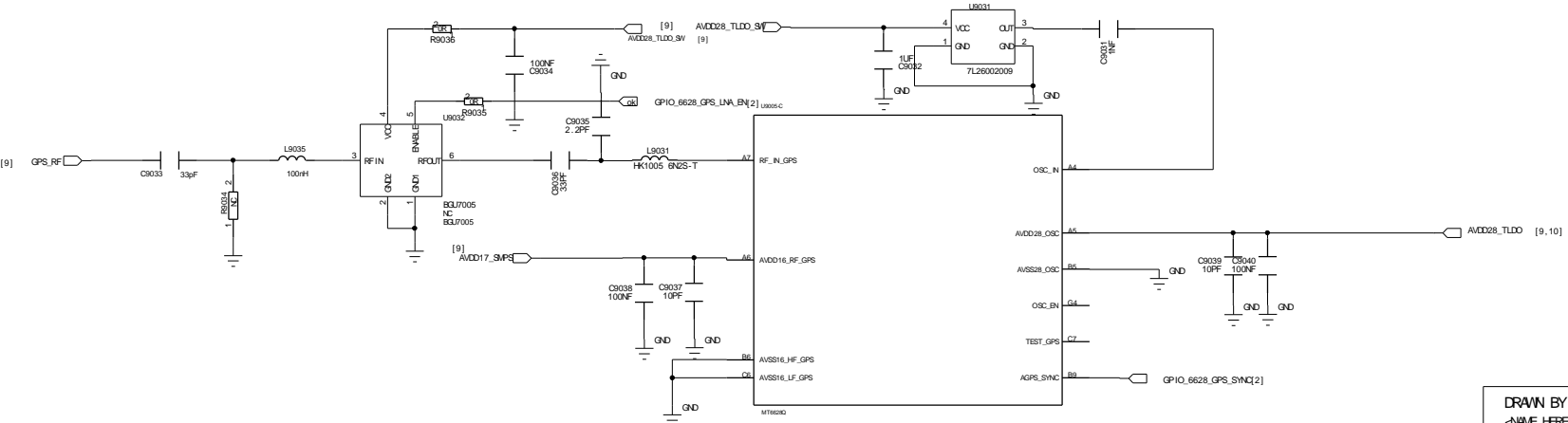
6628 WIFI_BT



6628 FMU

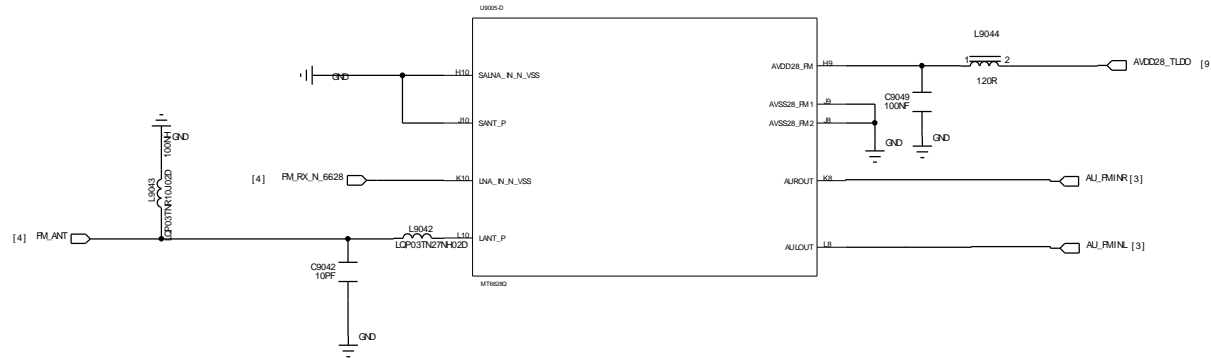


6628 GPS

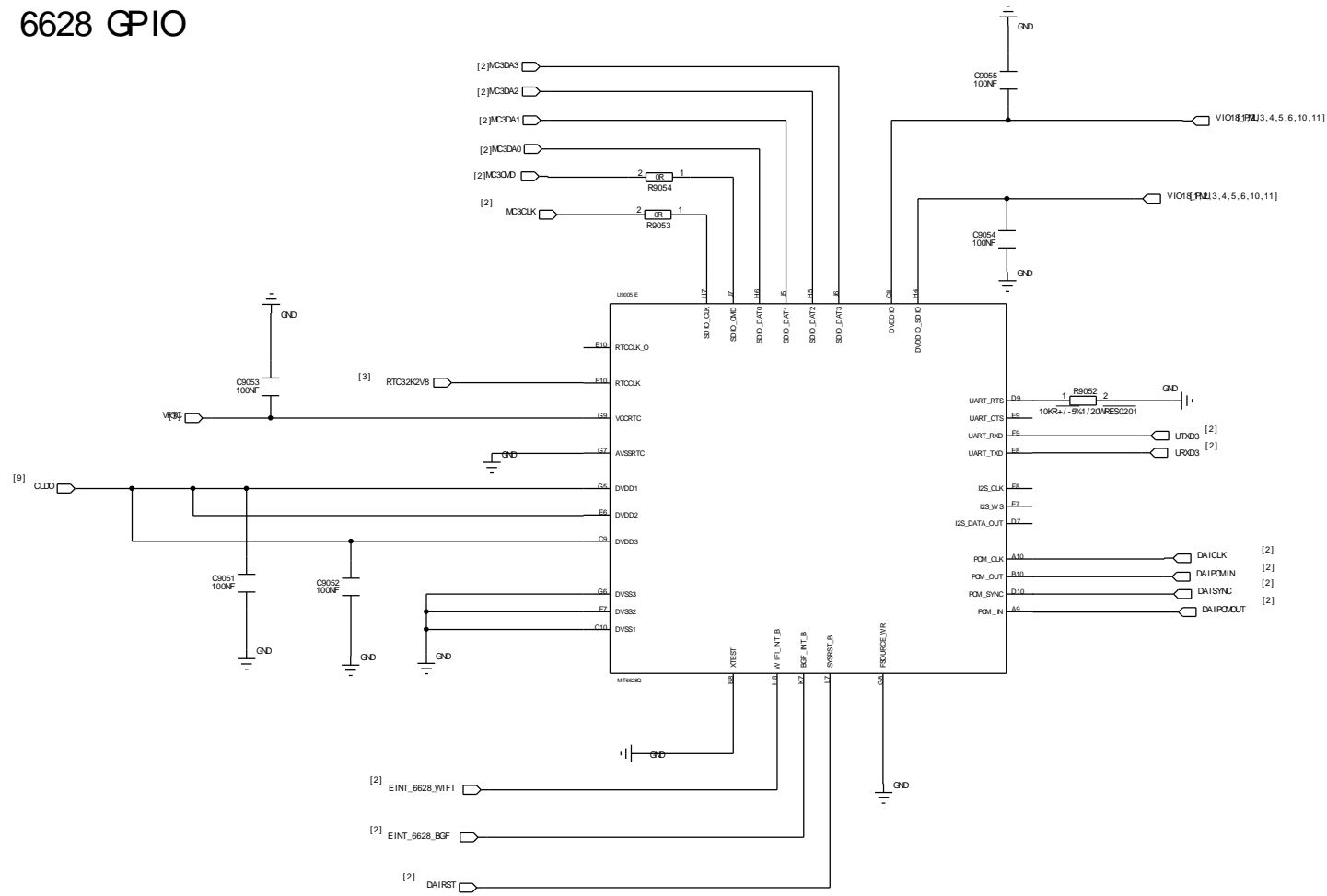


| | | | |
|----------------------------|------------------------------|-------------------------------|--------------|
| DRAWN BY: <NAME HERE> | MODULE <MODULE NAME HERE> | TITLE: <TITLE NAME HERE> | |
| CHECKED BY: <NAME HERE> | SIZE: A2 | DRAWING NO: <DRAW NO HERE> | REV: <NO> |
| SHEET: No of No | | <DATE HERE> | |

6628 FM

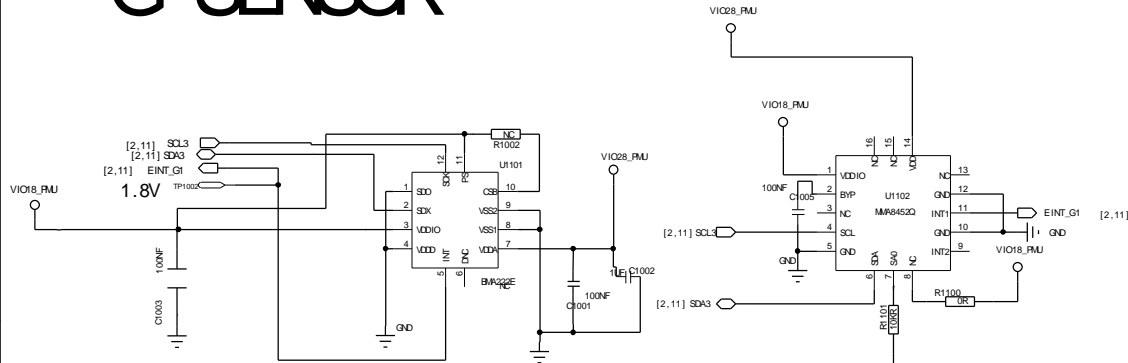


6628 GPIO



| | | | |
|----------------------------|------------------------------|-------------------------------|--------------|
| DRAWN BY: <NAME HERE> | MODULE <MODULE NAME HERE> | TITLE: <TITLE NAME HERE> | |
| CHECKED BY: <NAME HERE> | SIZE: A2 | DRAWING NO: <DRAW NO HERE> | REV: <NO> |
| SHEET: No of No | | <DATE HERE> | |

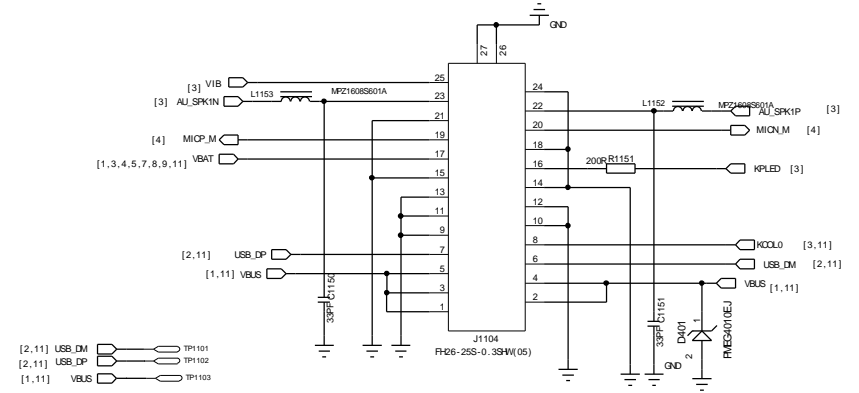
G SENSOR



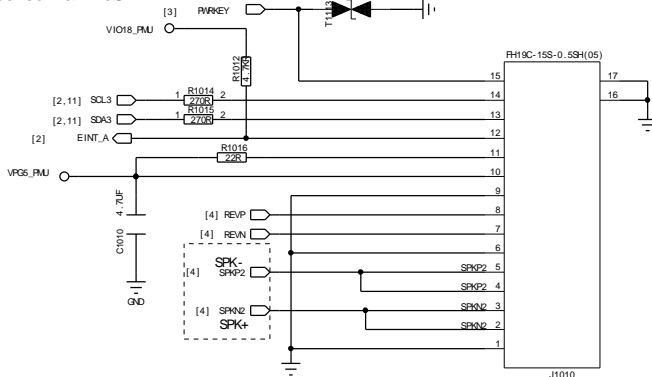
BMA220: VDDA/VDDD 1.62~1.98V; VDDIO:1.62~3.6V
 BMA222: VDD:1.62~3.6V;VDDIO:1.2~3.6V
 I2C address:0x08(wr i te:0x10;read:0x11)

MMA8452Q I2C address: (wr i te:0x38; read:0x39)@SA0=0

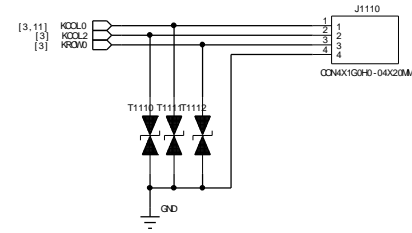
Sub board IO



PS/ALS sensor &REV&SPK2

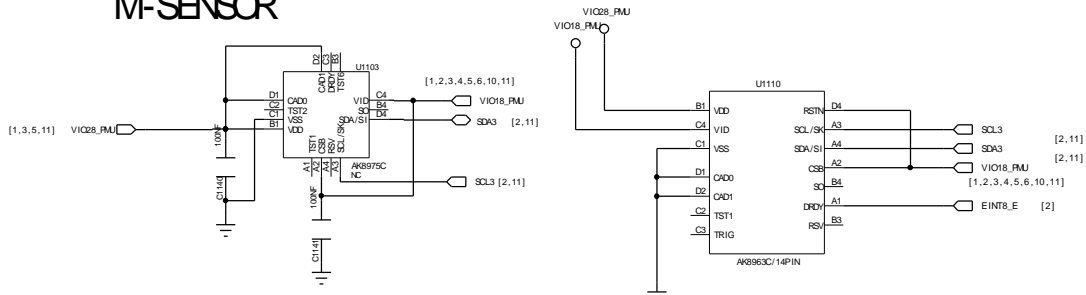


Side KEY



Power KEY

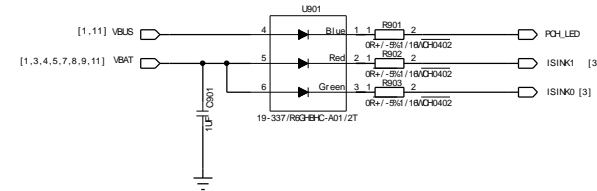
M-SENSOR



I2C address:0x0F(wr i te:0x1E;read:0x1F)

I2C address:0x0C(w r i te:0x18;read:0x19)

RGB LED



| | | | |
|-----------------------------|-------------------------------|--------------------------------|---------------|
| DRAWN BY: -<NAME HERE> | MODULE -<MODULE NAME HERE> | TITLE: -<TITLE NAME HERE> | |
| CHECKED BY: -<NAME HERE> | SIZE: A2 | DRAWING NO: -<DRAW NO HERE> | REV: -<NO> |
| SHEET: No of No | | -<DATE HERE> | |